

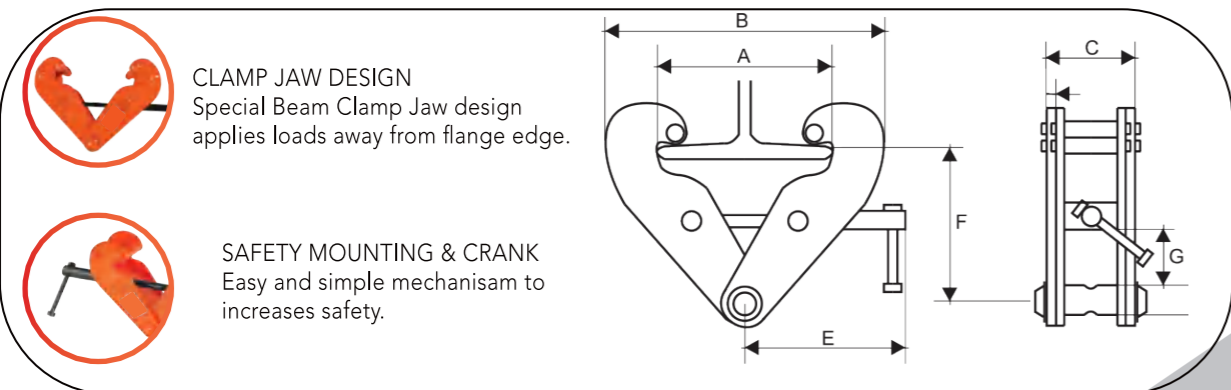


## BEAM CLAMP

- Provides a quick and versatile rigging point for hoisting equipment, pulley blocks or loads.
- Flexible application due to wide adjustment range.
- The central threaded spindle allows easy attachment and a safe and secure grip.
- The spindle can be secured against loosening.
- Fits wide range of beams and flange widths, low headroom design.
- Widely option for flange width.



Model :JG



Model	Capacity Load [t]	Test Load [kn]	I-Beam Width Range(mm)	A Max	B		C	E	F		G	Net weight (kg)
					Min	max			Min	max		
JG-1	1	12.3	75-220	260	180	360	64	215	102	155	25	3.8
JG-2	2	24.5	75-220	260	180	360	74	215	102	155	25	4.6
JG-3	3	36.8	80-320	354	235	490	103	260	140	225	45	9
JG-5	5	61.3	80-320	354	235	490	110	260	140	225	45	11
JG-10	10	122.5	90-320	365	320	505	120	280	170	235	50	16

## DRUM LIFTER

- Provides a quick and versatile rigging point for hoisting equipment, pulley blocks or loads.
- Flexible application due to wide adjustment range.
- Widely option for flange width.



**CLAMP JAW DESIGN**  
Special Beam Clamp Jaw design applies loads away from flange edge.



**SAFETY MOUNTING & CRANK**  
Easy and simple mechanism to increases safety.



Model :CDLP



Model :CDL



Model :CDLB

### TECHNICAL SPECIFICATION

Model	Capacity (kg)	Chain Size (mm)	Length of lift chain (mm)	Net weight / New (kg)
CDLB	1000	6×18	500	3.6 / 5.38
CDLP	1000	7×21	500	5.6
CDL	1000	6×18	500	3.6

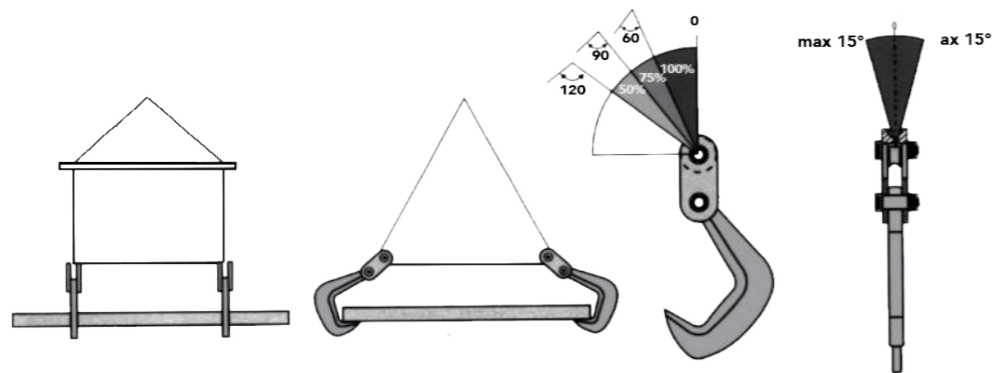


## PDQ SINGLE STEEL PLATE CLAMP

- Suitable for lifting and transport single or multi steel plates.
- Manufactured from high quality carbon steel.
- Avoid snatch or shock loading. Lifting beam must be in use.
- The roller at the head of the hook will not damage the sling rope.
- The working load limit is the maximum load that the clamps are authorized to support when used in pairs with a lift angle of 60°.
- In lifting operations four clamps must at least always be used. Automatic unloading.



Model : PDQ



Model	WLL (tonnes)	Jaw Opening (mm)	Weight (kg)
PDQ 1	1.0	0-50	3
PDQ 2	2.0	0-60	5
PDQ 3. 2	3.2	0-90	12
PDQ 5	5.0	0-120	17
PDQ 8	8.0	0-130	25
PDQ 10	10.0	0-150	30
PDQ 12	12.0	0-150	32
PDQ 20	20.0	0-250	69

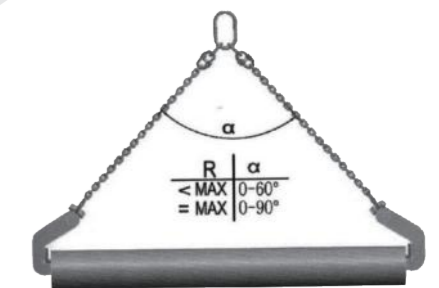
## TPH PIPE PLATE CLAMP

- For horizontal lifting and transporting of steel and concrete pipes.
- Compact shapes and relatively low own weight with a high lifting capacity.
- The surface is equipped with "special" plastic.
- The TPH will be delivered per pair.
- Plastic cover is easy to change.



### TECHNICAL PARAMETERS

Model	WLL (tonnes)	Jaw Opening (mm)	Weight (kg)
TPH 1.5	1.5	40	1.5
TPH 3	3.0	40	2
TPH 4	4.0	50	2.8
TPH 6	6.0	50	3.2
TPH 8	8.0	70	5
TPH 12	12.0	70	13
TPH 16	16.0	70	15.8
TPH 18	18.0	70	22



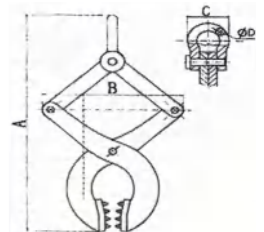
Model : TPH



Model : PCT

### PALLET CLAMP

- The pallet pullers are used to pull loaded pallets, slide heavy crates, etc., to edge of dock or truck, so it can be picked up with forklift truck.
- Variable jaw width grabs pallet securely and automatically releases.



Item No.	PCT10	PCT15	PCT20	PCT25
Capacity(t)	1	1.5	2	2.5
Beam width(mm)	30~100	30~180	30~200	30~135
Dimensions(mm)	A max	412	520	552
	A min	260	310	340
	B max	310	335	390
	B min	258	245	310
	C	12	86	86
	D	16	20	20